



## 315-Watt CMH System

Performance		
Lamp	Number	1
	Watts	315W
InputVolts	120V	240V
Input Current	2.89A	1.43A
Input Power	343W	
Min Power Factor	0.95	
THD	<15%	
Crest Factor	<1.7	

Physical		
Case Length	477mm	18.78"
Case Width	236mm	9.29"
Height	245mm	9.65"
Weight	4.00kg	8.82lb

### Protections

1. End of Lamp Life(EOL)Protection
2. Short circuit protection
3. Open circuit protection
4. Ignition failure protection
5. Thermal protection

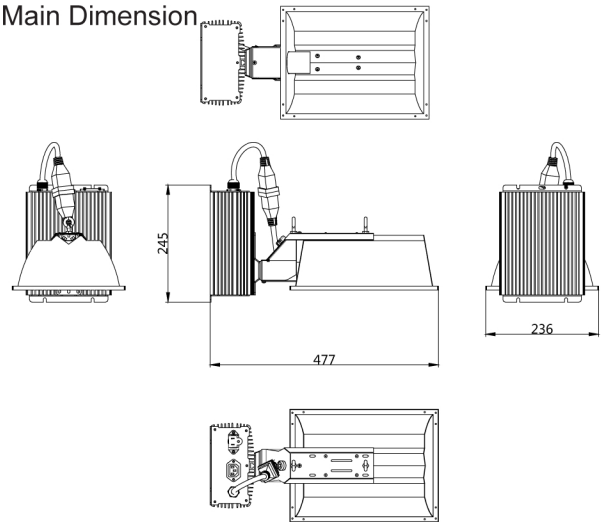
### Installation & Application Notes

1. Max. allowable case temperature:75°C/167°F.
2. Ambient Temperature:-20...+40°C/-4...+104 °F.
3. Ignition voltage is 5kV.
4. Remote Mounting:5m/16ft.
5. Power must be cycled off-then on,after replacing the lamp.

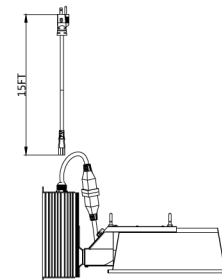
### Performance Requirements:

Rated mains voltage:	120-240V
Voltage range (+/-10%):	108-264V
Mains frequency:	50/60Hz
Operation frequency :	140-220Hz

### Main Dimension



### Wiring Diagram



### Tcase max=75°C/167°F

